



Beatrix Leather Collection

3 seater leather sofa shown in Lazio Brown (Cover 1) and optional extra Garland Capri scatter.
Armchair shown in Garland Capri (Cover 1) and Jedi Petrol (Cover 2) (fabric).

Colours represented are to be used as a guide only, colour shadings can vary slightly from each leather hide. Please refer to manufacturers swatch for more colour options.

foamflex⁺

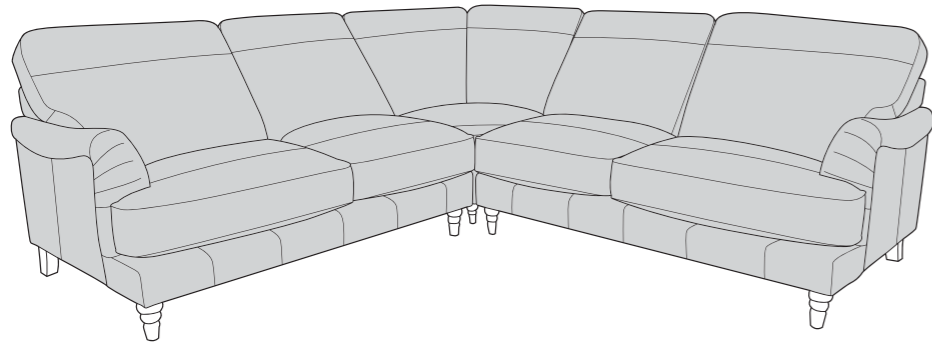
03/02/2025

BEATRIX LEATHER COVER GUIDE: STANDARD BACK ONLY

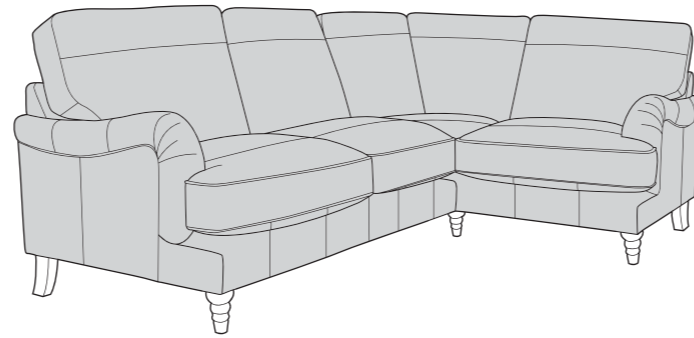
Please use this guide when ordering the following pieces to clarify cover options.



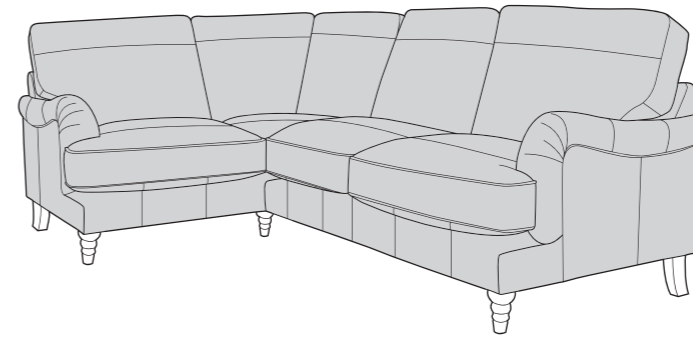
Corner Group: LH2, COR, RH2



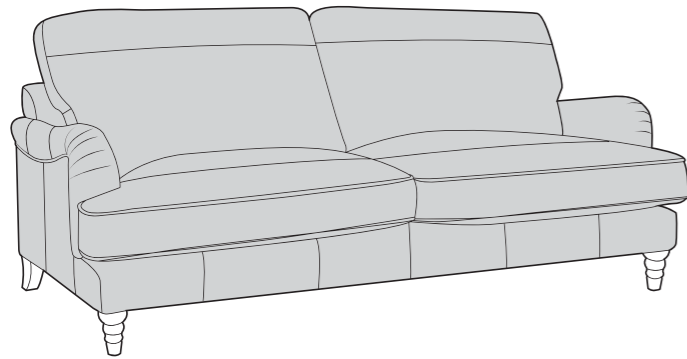
Corner Group: LH2, R2C



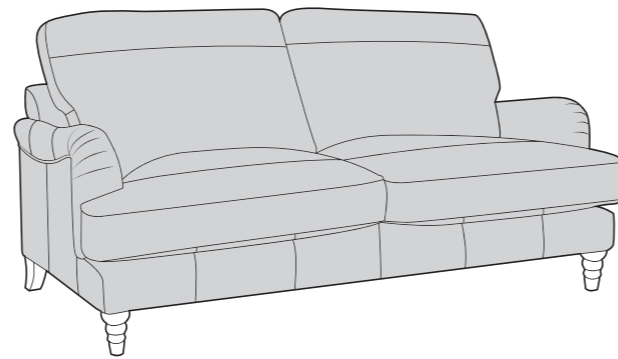
Corner Group: L2C, RH2



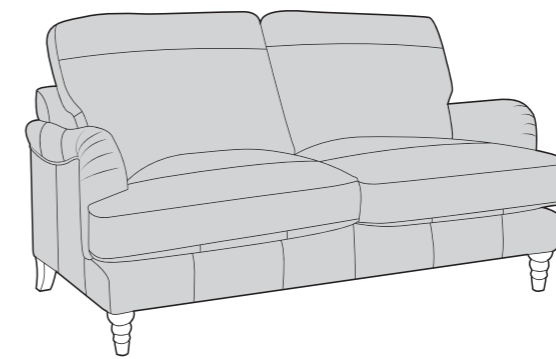
4 Seater Sofa (4ST)



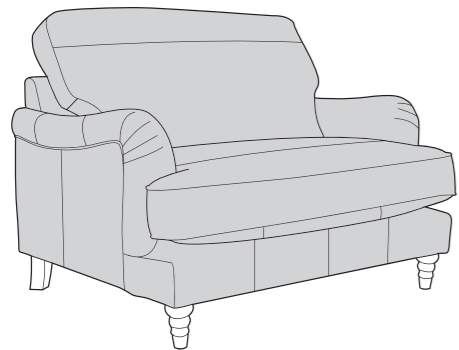
3 Seater Sofa (3ST)



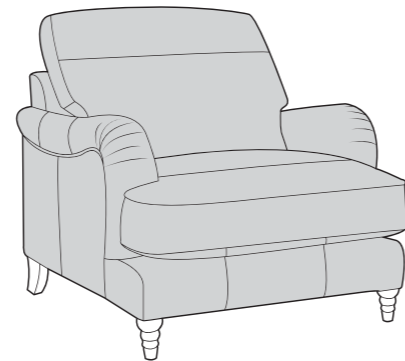
2 Seater Sofa (2ST)



Love Chair (LOV)

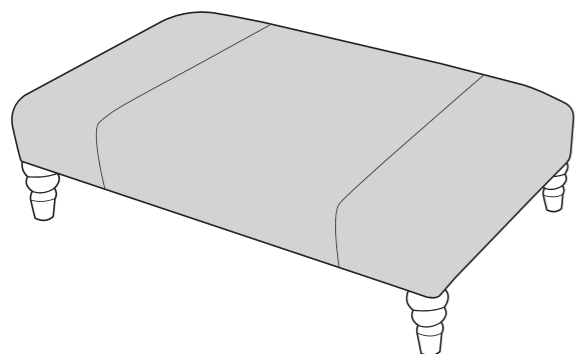


Arm Chair (1ST)

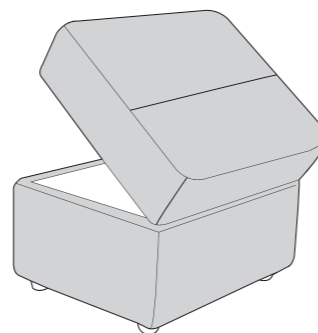


SUGGESTED ACCENT PIECES

Beatrix Leather Footstool (FST)



Leather Storage Footstool (FSS)



MANUFACTURER MEMBER



BEATRIX LEATHER DIMENSIONS (CM)

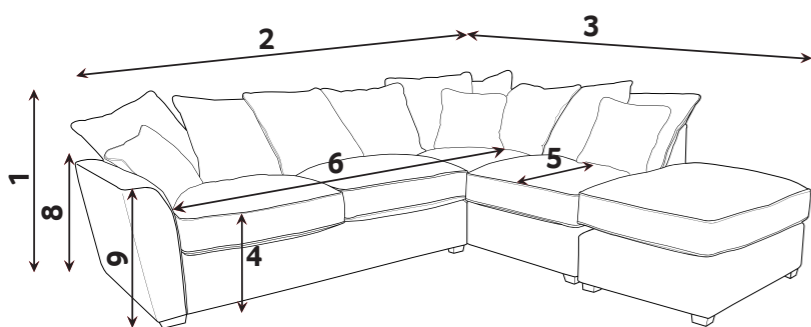
AVAILABLE PIECES	HEIGHT 1	WIDTH 2	DEPTH 3	SEAT HEIGHT 4	SEAT DEPTH 5	SEAT WIDTH 6	ACCESS DIAGONAL 7	OUTBACK HEIGHT 8	ARM HEIGHT 9	WEIGHT (KG)
LH2/COR/RH2 CORNER GROUP	93	246	246	50	N/A	N/A	N/A	72	65	112
LH2/R2C CORNER GROUP or L2C/RH2 CORNER GROUP	93	246	176	50	N/A	N/A	N/A	72	65	91.5
LH2/RH2 UNIT	93	150	96	50	56	135	178	72	65	41.5
L2C/R2C UNIT	93	176	96	50	56	65	198	72	65	50
COR - CORNER UNIT	93	96	96	50	56	N/A	131	72	N/A	29
4 SEATER SOFA (4ST)										
4 SEATER SOFA (4ST)	93	210	96	50	56	177	230	72	65	57
3 SEATER SOFA (3ST)										
3 SEATER SOFA (3ST)	93	190	96	50	56	157	212	72	65	53
2 SEATER SOFA (2ST)										
2 SEATER SOFA (2ST)	93	160	96	50	56	130	186	72	65	47
LOVE CHAIR (LOV)										
LOVE CHAIR (LOV)	93	119	96	50	56	88	N/A	72	65	39
ARM CHAIR (1ST)										
ARM CHAIR (1ST)	93	89	96	50	56	59	130	72	65	35.5
ACCENT PIECES										
BEATRIX LEATHER FOOTSTOOL (FST)										
BEATRIX LEATHER FOOTSTOOL (FST)	31	106	65	N/A	N/A	N/A	124	N/A	N/A	14.5
LEATHER STORAGE FOOTSTOOL (FSS)										
LEATHER STORAGE FOOTSTOOL (FSS)	45	63	50	N/A	N/A	N/A	75	N/A	N/A	12.5

- * Hardwood & composite board frame.
- * Dowelled, screwed, glued & stapled joinery.
- * Wood foot options: Choice of Antique, Beech or Limed Oak Foot.

- * foamflex+ seat interior.
- * Back Cushions secured with zips.
- * Serpentine seat springs & silent wire.
- * Superloop back springs.

- * Serpentine seat springs & silent wire.
- * Superloop back springs.

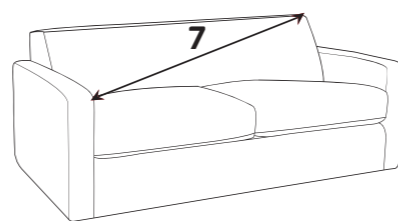
DIMENSION GUIDE



- 1 - HEIGHT
- 2 - WIDTH
- 3 - DEPTH
- 4 - SEAT HEIGHT
- 5 - SEAT DEPTH (STD & PILLOW)
- 6 - SEAT WIDTH

Illustrations used for reference only.

Check the diagonal access dimension to ensure furniture will fit in your home.



- 7 - DIAGONAL ACCESS
- 8 - OUTBACK HEIGHT
- 9 - ARM HEIGHT

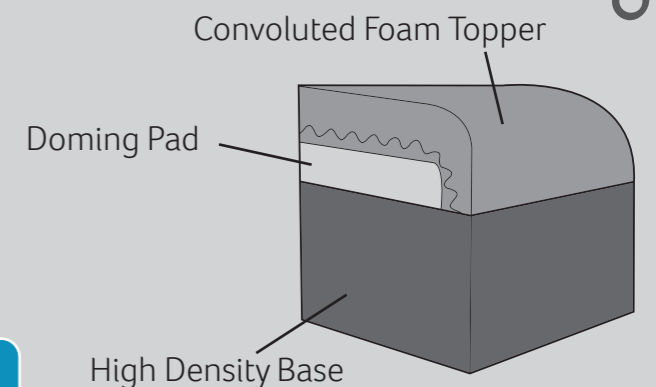
foamflex+

Our expertly engineered foam seat interior gives you the comfort of fibre with the retention of foam.

CARE GUIDE

To improve the longevity of your hand-made furniture, we recommend rotating cushions (where applicable).

For further information on maintaining your furniture, please refer to the Care Guide located under the seat platform.



FOOT OPTIONS:

FRONT CASTOR

Antique / Chrome / Beech / Chrome / Antique / Brass / Beech / Brass



FRONT TURNED

Antique / Limed / Beech / Oak



BACK FEET

Antique / Beech / Limed / Oak



See terms & conditions

Please note : All dimension are approximate. Allow tolerance of +/- 2.5cm. Wood is a natural product and will vary in shade/colour from item to item. Feet may require fitting.

LEATHER RANGE

We only use full leather for our collections; no splits apply.

PUGLIA

Puglia is a corrected grain leather crafted from top-quality hides processed in Italy. The hides are machine-buffed to remove superficial characteristics, then coated with a pigment to ensure consistent coloration across every piece. The surface is embossed with an artificial grain to deliver a uniform appearance, reducing visible natural markings and enhancing the leather's physical durability. This finish also minimizes absorption from spills, making Puglia a practical and family-friendly option. Available in a refined palette of five versatile colours, Puglia offers an elegant and easy-to-maintain solution for modern living spaces.



NAPOLI

Napoli is a natural grain, Semi-Aniline leather made of high quality hides that have been processed in Italy. A special re-tanning process is applied to give the leather its rich hand feel. A contrasting roller effect has been applied to the surface of each hide to add visual character, before being treated with a protective finish to increase durability. A characterful and family-friendly leather.



LAZIO

Lazio is a hand-buffed Aniline leather made of top quality hides that have been processed in Italy. This leather is a celebration of the rich history of each and every hide and the individual characteristics that make them unique. The hides are buffed by hand, piece by piece. Other than a light protective finish that has been applied to the grain in order to increase its physical performance, Lazio's surface is completely natural and free from additional treatments so as to retain the natural look of the leather. Natural leather will be subject to shade variation between and even within upholstered panels, ensuring every piece of furniture is unique.

